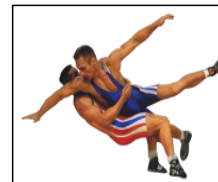




Classement

Challenge Henri Deglane Senior

STYLE : FS 55 kg



1 - Or / Gold



DIATTA Adama

2 - Argent / Silver



KRASTANOV Krasimir

3 - Bronze



DUCOV Andrei



MANNINO Salvatore

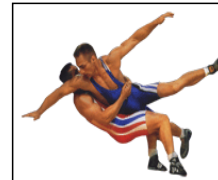
| Classement | Nom - Name | Pays - Country |
|------------|--------------------|----------------|
| 1 | DIATTA Adama | SEN |
| 2 | KRASTANOV Krasimir | GBR |
| 3 | DUCOV Andrei | ROU |
| 3 | MANNINO Salvatore | SAS |
| 5 | EL OUARAQUE Zoheir | LYO |
| 5 | GUELI Dino | RME |
| 7 | PARLAR Hakan | TUR |
| 8 | ANSARI Chakir | FSG |
| 9 | BONAS Albert | ESP |
| 10 | VELLLA Vincenzo | SAS |



Feuille de compétition / Competition Sheet

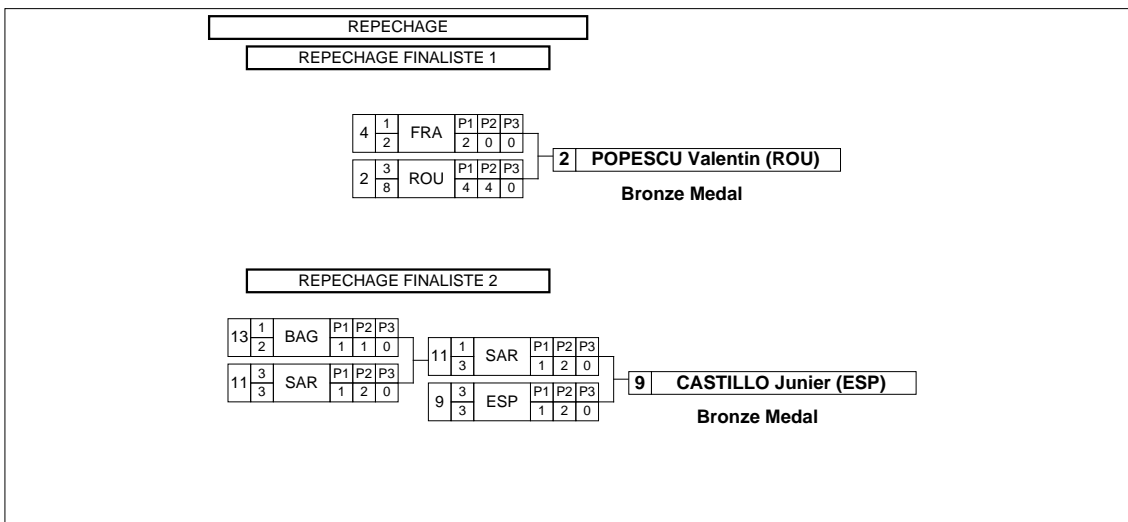
Challenge Henri Deglane Senior

STYLE : FS 60 kg



3 DEMIR Muhammet (TUR)
Gold Medal

12 PERPELITA Andrei (CAV)
Silver Medal





Classement

Challenge Henri Deglane Senior

STYLE : FS 60 kg



1 - Or / Gold



DEMIR Muhammet

2 - Argent / Silver



PERPELITA Andrei

3 - Bronze



POPESCU Valentin



CASTILLO Junier

| Classement | Nom - Name | Pays - Country |
|------------|---------------------|----------------|
| 1 | DEMIR Muhammet | TUR |
| 2 | PERPELITA Andrei | CAV |
| 3 | POPESCU Valentin | ROU |
| 3 | CASTILLO Junier | ESP |
| 5 | KHADJIEV Zaourbek | FRA |
| 5 | BONNIN Benjamin | SAR |
| 7 | OBZERA Peter | SVK |
| 8 | GRIGORYAN Sarkis | LYO |
| 9 | TABLIGHAN Poughigov | SAR |
| 10 | MARGOLLES Thibault | BAG |
| 11 | JATINDER Rakhra | GBR |
| 12 | ZWASCHRA Ben | USA |
| 13 | MASSIDDA Antoine | FRA |

Classement**Challenge Henri Deglane Senior**

STYLE : FS 66 kg



1 - Or / Gold



KAYA Mustafa

2 - Argent / Silver



FERREIRA Gregory

3 - Bronze



CAPRARUS Sorinel



CLAVIER Christophe

| Classement | Nom - Name | Pays - Country |
|------------|--------------------|----------------|
| 1 | KAYA Mustafa | TUR |
| 2 | FERREIRA Gregory | FRA |
| 3 | CAPRARUS Sorinel | ROU |
| 3 | CLAVIER Christophe | FRA |
| 5 | KACENAK Jakub | SVK |
| 5 | CHIRAIN Lilian | FRA |
| 7 | DIAZ Ruben | ESP |
| 8 | BONIN Antoine | TOR |
| 9 | FIQUET Maxime | DIJ |
| 10 | ODICHELIDZE Giorgi | LYO |
| 11 | JANTZEN Corey | USA |
| 12 | OLLE Robert | SVK |
| 13 | LAWSON Bruno | REN |
| 14 | BILLIER Antony | DIJ |
| 15 | PISCITELLI Pietro | SAS |
| 16 | CHIRAIN Maxime | MON |
| 17 | BOYER Anthony | FSG |
| 18 | BLAKE Ben | USA |
| 19 | MORENO Vireilio | ESP |



Feuille de compétition / Competition Sheet

Challenge Henri Deglane Senior

STYLE : FS 74 kg



| QUALIFICATION | | | 1/8 FINALE | | | 1/4 FINALE | | | 1/2 FINALE | | | FINALE | | | | | | | | | | | | | | | | | |
|---------------|---------|------------------------|------------|---------|---------|------------|---------|--------------------|------------|---------|---------|--------|---------|--------------------|---------|---------|---------|---|--------|-----|---------|---------|---------|--|--|--|--|--|--|
| 1 | | MITCHELL Michael (USA) | | | | 1 | 3 6 | USA | P1 2 | P2 2 | P3 2 | 1 | 3 10 | USA | P1 1 | P2 6 | P3 3 | 1 | 1 3 | USA | P1 2 | P2 1 | P3 0 | | | | | | |
| 2 | | JACQUET Nicolas (USM) | | | | 2 | 1 5 | USM | P1 1 | P2 3 | P3 1 | 2 | 1 5 | USM | P1 1 | P2 3 | P3 1 | | | | | | | | | | | | |
| 3 | | DAMOUR Rudy (CRE) | | | | 3 | 0 6 | CRE | P1 6 | P2 0 | P3 0 | 3 | 0 6 | CRE | P1 6 | P2 0 | P3 0 | | | | | | | | | | | | |
| 4 | | ABAYEV Imran (LCN) | | | | 4 | 5 10 | LCN | P1 7 | P2 3 | P3 0 | 4 | 1 8 | LCN | P1 7 | P2 0 | P3 1 | | | | | | | | | | | | |
| 5 | | FROMENT Benjamin (FSG) | | | | 5 | 1 4 | FSG | P1 4 | P2 0 | P3 0 | 5 | 1 4 | FSG | P1 4 | P2 0 | P3 0 | | | | | | | | | | | | |
| 6 | | AIBUEN Akmed (BAG) | | | | 6 | 3 13 | BAG | P1 6 | P2 7 | P3 0 | 6 | 4 12 | BAG | P1 6 | P2 6 | P3 0 | 6 | 3 6 | BAG | P1 3 | P2 3 | P3 0 | | | | | | |
| 7 | | CHIRAIN Adrien (FSG) | | | | 7 | 3 8 | FSG | P1 1 | P2 7 | P3 0 | 7 | 3 8 | FSG | P1 1 | P2 7 | P3 0 | | | | | | | | | | | | |
| 8 | | KOZLOEV Anzor (CAV) | | | | 8 | 1 2 | CAV | P1 1 | P2 1 | P3 0 | 8 | 1 2 | CAV | P1 1 | P2 1 | P3 0 | | | | | | | | | | | | |
| 9 | | NCUBE Cleopas (CAN) | | | | 9 | 4 12 | CAN | P1 6 | P2 6 | P3 0 | 9 | 4 12 | CAN | P1 6 | P2 6 | P3 0 | | | | | | | | | | | | |
| 10 | | DEFRANCESCNI A. (TRS) | | | | 10 | 0 0 | TRS | P1 0 | P2 0 | P3 0 | 10 | 0 0 | TRS | P1 0 | P2 0 | P3 0 | | | | | | | | | | | | |
| 11 | | MANEA Michael (ROU) | | | | 11 | 1 4 | ROU | P1 1 | P2 2 | P3 1 | 11 | 1 4 | ROU | P1 1 | P2 2 | P3 1 | | | | | | | | | | | | |
| 12 | 1 4 | SUCU Ayhan (TUR) | P1 1 | P2 1 | P3 2 | 12 | 1 4 | SUCU Ayhan (TUR) | P1 1 | P2 1 | P3 2 | 12 | 1 4 | SUCU Ayhan (TUR) | P1 1 | P2 1 | P3 2 | | | | | | | | | | | | |
| 13 | 3 9 | BURCA Alexandre (CAV) | P1 3 | P2 1 | P3 5 | 13 | 3 5 | CAV | P1 3 | P2 1 | P3 1 | 13 | 3 5 | CAV | P1 3 | P2 1 | P3 1 | | | | | | | | | | | | |
| 14 | 0 0 | WEST Samuel (USA) | P1 0 | P2 0 | P3 0 | 14 | 0 0 | WEST Samuel (USA) | P1 0 | P2 0 | P3 0 | 14 | 0 0 | WEST Samuel (USA) | P1 0 | P2 0 | P3 0 | | | | | | | | | | | | |
| 15 | 3 8 | RAINA Antoine (FRA) | P1 1 | P2 7 | P3 0 | 15 | 1 1 | FRA | P1 1 | P2 0 | P3 0 | 15 | 1 1 | FRA | P1 1 | P2 0 | P3 0 | | | | | | | | | | | | |
| 16 | 3 3 | FRANCOIS Maxime (FRA) | P1 2 | P2 1 | P3 0 | 16 | 3 7 | FRA | P1 3 | P2 4 | P3 0 | 16 | 5 16 | FRA | P1 9 | P2 7 | P3 0 | | | | | | | | | | | | |
| 17 | 1 1 | PATTE Paul (DIJ) | P1 0 | P2 1 | P3 0 | 17 | 1 1 | PATTE Paul (DIJ) | P1 0 | P2 1 | P3 0 | 17 | 1 1 | PATTE Paul (DIJ) | P1 0 | P2 1 | P3 0 | | | | | | | | | | | | |
| 18 | 1 4 | PATTE Marc (DIJ) | P1 0 | P2 3 | P3 1 | 18 | 1 4 | PATTE Marc (DIJ) | P1 0 | P2 3 | P3 1 | 18 | 1 4 | PATTE Marc (DIJ) | P1 0 | P2 3 | P3 1 | | | | | | | | | | | | |
| 19 | 3 4 | HARUTUNIAN Narek (SAR) | P1 1 | P2 0 | P3 3 | 19 | 5 1 | SAR | P1 1 | P2 0 | P3 0 | 19 | 5 1 | SAR | P1 1 | P2 0 | P3 0 | | | | | | | | | | | | |
| 20 | 3 10 | MOLLOV Denislav (BUL) | P1 4 | P2 6 | P3 0 | 20 | 0 2 | BUL | P1 2 | P2 0 | P3 0 | 20 | 0 2 | BUL | P1 2 | P2 0 | P3 0 | | | | | | | | | | | | |
| 21 | 1 2 | BLAKE Robert (USA) | P1 2 | P2 0 | P3 0 | 21 | 1 2 | BLAKE Robert (USA) | P1 2 | P2 0 | P3 0 | 21 | 1 2 | BLAKE Robert (USA) | P1 2 | P2 0 | P3 0 | | | | | | | | | | | | |

9 NCUBE Cleopas (CAN)

Gold Medal

6 AIBUEN Akmed (BAG)

Silver Medal

REPECHAGE

REPECHAGE FINALISTE 1

| | | | | | | | | | | | | | | | | | | | |
|---|--------|-----|---------|---------|---------|---|--------|-----|---------|---------|---------|---|--------|-----|---------|---------|---------|---|------------------------|
| 5 | 3 8 | FSG | P1 5 | P2 3 | P3 0 | 5 | 1 1 | FSG | P1 0 | P2 1 | P3 0 | 1 | 3 8 | USA | P1 6 | P2 2 | P3 0 | 1 | MITCHELL Michael (USA) |
| 7 | 1 4 | FSG | P1 2 | P2 2 | P3 0 | 7 | 1 4 | FSG | P1 2 | P2 2 | P3 0 | | | | | | | | |

Bronze Medal

REPECHAGE FINALISTE 2

| | | | | | | | | | | | | | | | | | | | |
|----|--------|-----|---------|---------|---------|----|--------|-----|---------|---------|---------|----|--------|-----|---------|---------|---------|----|-----------------------|
| 10 | 5 0 | TRS | P1 0 | P2 0 | P3 0 | 10 | 0 0 | TRS | P1 0 | P2 0 | P3 0 | 16 | 3 6 | FRA | P1 4 | P2 2 | P3 0 | 16 | FRANCOIS Maxime (FRA) |
| 13 | 0 0 | CAV | P1 0 | P2 0 | P3 0 | 13 | 0 0 | CAV | P1 0 | P2 0 | P3 0 | | | | | | | | |

Bronze Medal



Classement

Challenge Henri Deglane Senior



STYLE : FS 74 kg

1 - Or / Gold



NCUBE Cleopas

2 - Argent / Silver



AIBUEN Akmed

3 - Bronze



MITCHELL Michael



FRANCOIS Maxime

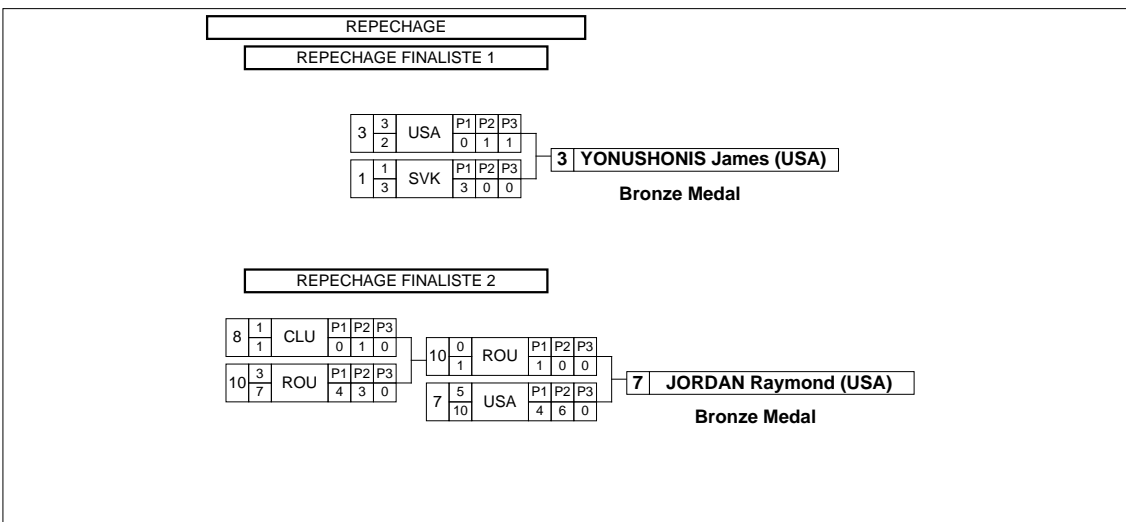
| Classement | Nom - Name | Pays - Country |
|------------|------------------|----------------|
| 1 | NCUBE Cleopas | CAN |
| 2 | AIBUEN Akmed | BAG |
| 3 | MITCHELL Michael | USA |
| 3 | FRANCOIS Maxime | FRA |
| 5 | DEFRANCECNI A. | TRS |
| 5 | FROMENT Benjamin | FSG |
| 7 | HARUTUNIAN Narek | SAR |
| 8 | ABAYEV Imran | LCN |
| 9 | BURCA Alexandre | CAV |
| 10 | CHIRAIN Adrien | FSG |
| 11 | RAINA Antoine | FRA |
| 12 | MOLLOV Denislav | BUL |
| 13 | JACQUET Nicolas | USM |
| 14 | PATTE Marc | DIJ |
| 15 | MANEA Michael | ROU |
| 16 | SUCU Ayhan | TUR |
| 17 | KOZLOEV Anzor | CAV |
| 18 | BLAKE Robert | USA |
| 19 | PATTE Paul | DIJ |
| 20 | DAMOUR Rudy | CRE |
| 21 | WEST Samuel | USA |



Feuille de compétition / Competition Sheet

Challenge Henri Deglane Senior

STYLE : FS 84 kg



Classement

Challenge Henri Deglane Senior

STYLE : FS 84 kg



1 - Or / Gold



ITAEV Ahmed Said

2 - Argent / Silver



BINICI Firat

3 - Bronze



YONUSHONIS James



JORDAN Raymond

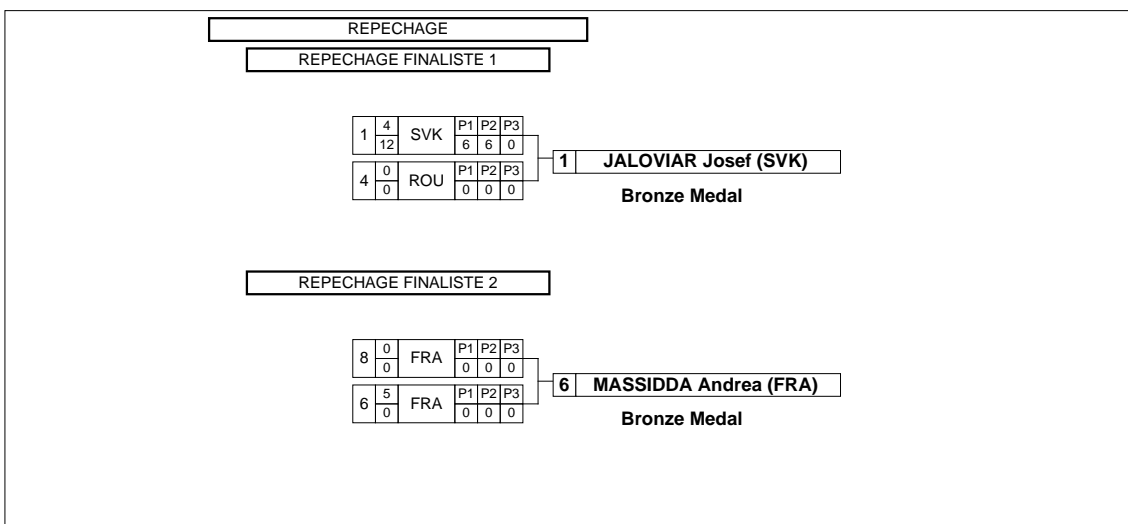
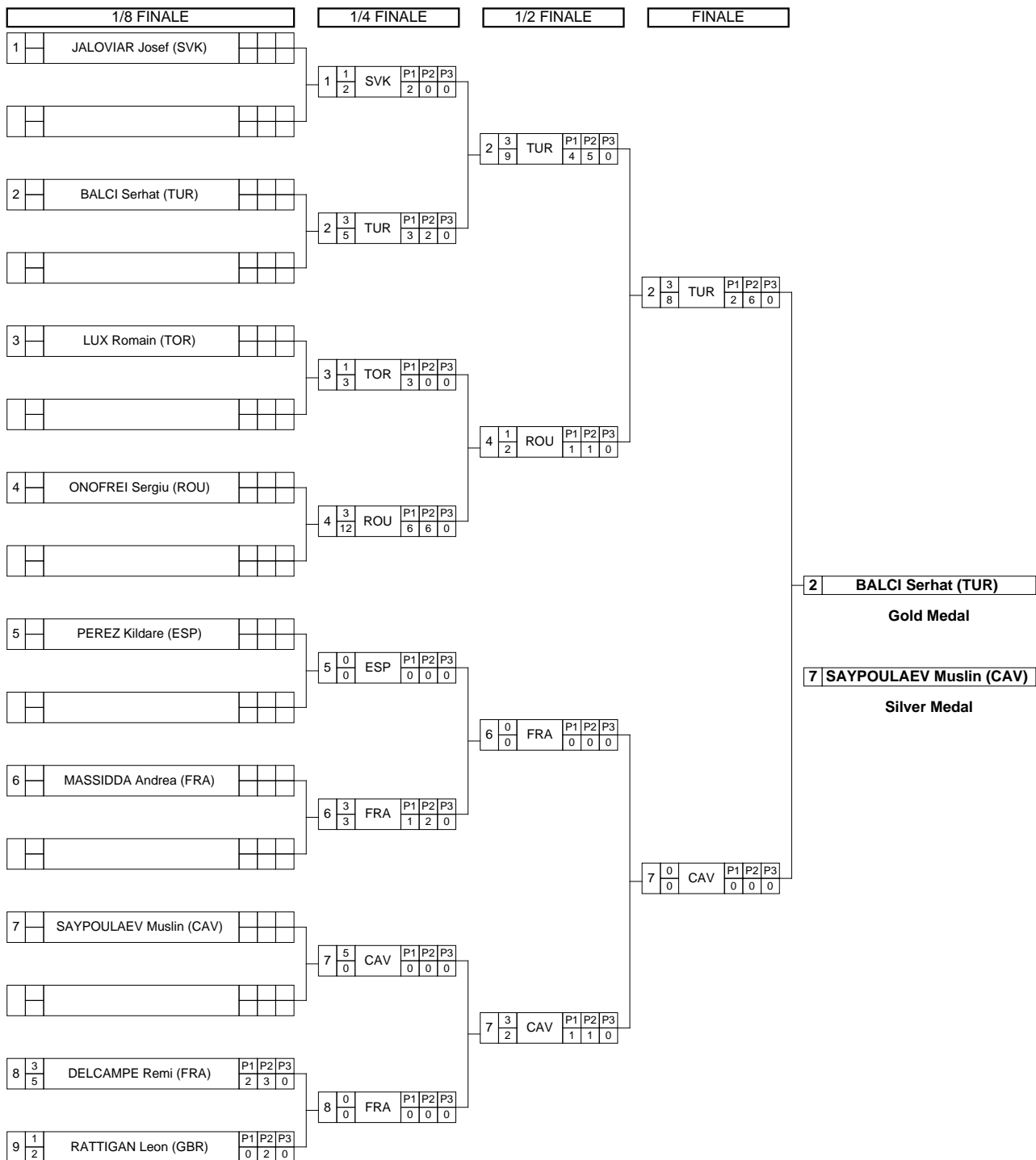
| Classement | Nom - Name | Pays - Country |
|------------|------------------|----------------|
| 1 | ITAEV Ahmed Said | FRA |
| 2 | BINICI Firat | TUR |
| 3 | YONUSHONIS James | USA |
| 3 | JORDAN Raymond | USA |
| 5 | FRANT Andrei | ROU |
| 5 | PALINKAS Dan | SVK |
| 7 | GHARBI Anis | FRA |
| 8 | FASUGBA Anthony | RME |
| 9 | MISSILIER Mael | CLU |
| 10 | SORBELLO Andrea | SAS |
| 11 | ROUGIER Julien | DIJ |



Feuille de compétition / Competition Sheet

Challenge Henri Deglane Senior

STYLE : FS 96 kg





Classement

Challenge Henri Deglane Senior



STYLE : FS 96 kg

1 - Or / Gold



BALCI Serhat

2 - Argent / Silver



SAYPOULAEV Muslin

3 - Bronze



JALOVIAR Josef



MASSIDDA Andrea

| Classement | Nom - Name | Pays - Country |
|------------|-------------------|----------------|
| 1 | BALCI Serhat | TUR |
| 2 | SAYPOULAEV Muslin | CAV |
| 3 | JALOVIAR Josef | SVK |
| 3 | MASSIDDA Andrea | FRA |
| 5 | ONOFREI Sergiu | ROU |
| 5 | DELCAMPE Remi | FRA |
| 7 | LUX Romain | TOR |
| 8 | RATTIGAN Leon | GBR |
| 9 | PEREZ Kildare | ESP |



Feuille de compétition / Competition Sheet

Challenge Henri Deglane Senior

STYLE : FS 120 kg



TOUR : 1

| | | | | | | | |
|---|----|-----------------------|----|----|----|---|------------------------------|
| 1 | 0 | MIANO PETTA F. (RME) | P1 | P2 | P3 | 2 | GAKIROGLU Fatih (TUR) |
| | 0 | | 0 | 0 | | | |
| 2 | 4 | GAKIROGLU Fatih (TUR) | P1 | P2 | P3 | | |
| | 12 | | 5 | 7 | 0 | | |

Classement

| Cl | Pays | Nom | Points |
|----|------|-----------------|--------|
| 1 | TUR | GAKIROGLU Fatih | 4 |
| 2 | RME | MIANO PETTA F. | 0 |



Classement

Challenge Henri Deglane Senior

STYLE : FS 120 kg



1 - Or / Gold



GAKIROGLU Fatih

2 - Argent / Silver



MIANO PETTA Francesco

3 - Bronze



| Classement | Nom - Name | Pays - Country | Points |
|------------|-----------------|----------------|--------|
| 1 | GAKIROGLU Fatih | TUR | 4 |
| 2 | MIANO PETTA F. | RME | 0 |



Classement par équipe / Teams ranking

Challenge Henri Deglane Senior

STYLE FS



| Rang | Equipe | 55 KG | 60 KG | 66 KG | 74 KG | 84 KG | 96 KG | 120 KG | TOTAL |
|-------------|---------------|--------------|--------------|--------------|--------------|--------------|--------------|---------------|--------------|
| 1 | TUR | 4 | 10 | 10 | | 9 | 10 | 10 | 53 |
| 2 | FRA | | 6 | 9 | 8 | 10 | 8 | | 41 |
| 3 | ROU | 8 | 8 | 8 | | 6 | 6 | | 36 |
| 4 | SVK | | 4 | 6 | | 6 | 8 | | 24 |
| 5 | CAV | | 9 | | 2 | | 9 | | 20 |
| 6 | RME | 6 | | | | 3 | | 9 | 18 |
| 7 | USA | | | | 8 | 8 | | | 16 |
| 8 | ESP | 2 | 8 | 4 | | | 2 | | 16 |
| 9 | GBR | 9 | | | | | 3 | | 12 |
| 10 | CAN | | | | 10 | | | | 10 |
| 11 | BAG | | 1 | | 9 | | | | 10 |
| 12 | SEN | 10 | | | | | | | 10 |
| 13 | SAR | | 6 | | 4 | | | | 10 |
| 14 | LYO | 6 | 3 | 1 | | | | | 10 |
| 15 | SAS | 8 | | | | 1 | | | 9 |
| 16 | FSG | 3 | | | 6 | | | | 9 |
| 17 | TOR | | | 3 | | | 4 | | 7 |
| 18 | TRS | | | | 6 | | | | 6 |
| 19 | LCN | | | | 3 | | | | 3 |
| 20 | CLU | | | | | 2 | | | 2 |
| 21 | DIJ | | | 2 | | | | | 2 |
| 22 | BUL | | | | | | | | 0 |
| 22 | CRE | | | | | | | | 0 |
| 22 | MON | | | | | | | | 0 |
| 22 | REN | | | | | | | | 0 |
| 22 | USM | | | | | | | | 0 |